



SOLATUBE[®]
DAYLIGHTING SYSTEMS

Installation Instructions

Solatube Ø 53 cm square
Ubiflex pitched roof flashing

Enjoy daylight

Contents

1. Product Overview	4
1.1 Parts	
2. Installation Steps	5
2.1 Step 1 – Ubiflex pitched roof flashing	5
2.2 Step 2 – Install the Ubiflex pitched roof flashing	5
2.2.1 Step 2.1 – High-Tack sealant	6
2.2.2 Step 2.2 – Attach roof flashing tile clips	7
2.3 Step 3 – Assemble the top extension tube	8
2.4 Step 4 – Fit the dome ring	9
2.5 Step 5 – Fit the LightTracker	9
2.6 Step 6 – Fit the roof dome	10
2.7 Step 7 – Install the transition box	11
2.8 Step 8 – Extension tubes	11
2.9 Step 9 – Connect the transition box	11
2.10 Step 10 – Natural Effect Lens	12
2.11 Step 11 – Fit the ceiling diffuser	13

Version

26-08-2020

Safety Information

- Always observe the safety instructions for the materials and tools to be used.
- Always wear the appropriate personal protective equipment (gloves, safety goggles etc.)
- We would suggest that any roof works is completed by an experienced roofer.
- Always have any electrical works carried out by a certified electrician.
- Please note that the installation works is carried out at your own risk.

Guarantee

Non-electrical Solatube® components are covered by a 10 year manufacturer's warranty against any manufacturing defects. Please retain the original proof of purchase to validate the product warranty. Any costs associated to the installation of any replacement parts covered under the warranty remain at the expense of the purchaser. Our terms and conditions are available upon request.

Disclaimer

Techcomlight Limited expressly disclaims any liability for any unexpected additional expense arising as a result of condensation or any water damage resulting from condensation, installation not in accordance with Techcomlight Limited's installation guide/s or any other external influences beyond the control of Techcomlight Limited. Techcomlight cannot be held liable for damage to structures caused as a result of making openings and installing Solatube® systems. Techcomlight assumes no responsibility or obligation for the failure of an architect, contractor, installer or building owner to comply with all applicable laws, ordinances, building codes, energy codes, fire and safety codes and requirements, and adequate safety measures.

Installation instructions reserved. No rights can be derived from this publication.

1. Product Overview



1.1 Parts

- | | |
|--|--|
| <ul style="list-style-type: none"> 1. Roof dome 2. Dome ring 3. Ubiflex pitched roof flashing 4. Natural Effect Lens 5. Extension tube 6. High-tack sealant 7. Brush seal | <ul style="list-style-type: none"> 8. 3 x roof tile clips 9. Transition box 10. 6 x spacers 11. 6 x roof dome screws 12. 8 x Natural Effect Lens screws 13. 8 x white tabs 14. Roll of aluminium tape |
|--|--|

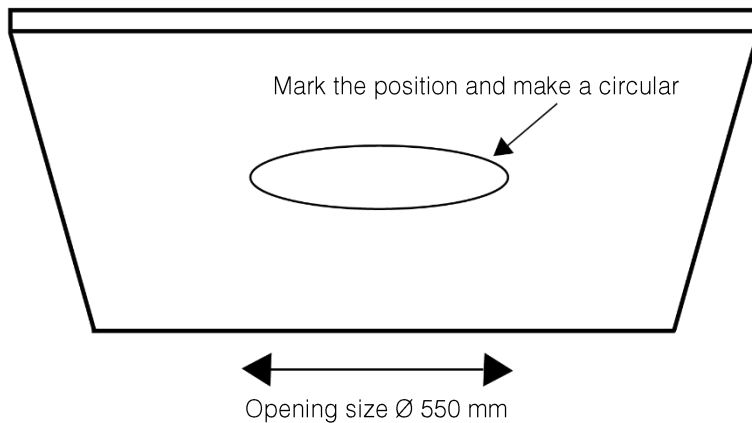
2. Installation Steps

2.1 Step 1 – Ubiflex pitched roof flashing

Determine where you want to install the Solatube from the inside and mark the position through the roof.

Note: Consider the roof construction and any electrical wires or pipes which may be hidden within the roof void.

Create a circular opening with a diameter of between $\text{Ø } 550 \text{ mm}$ through the roof construction.



2.2 Step 2 – Install the Ubiflex pitched roof flashing

Remove sufficient tiles from the roof to allow the flashing to fit down onto the tile battens as shown below.

Determine the ideal position so that the flashing can be installed beneath the tiles above / to the sides and down onto the tiles below.

Once the final position is determined, mark and cut any obstructing tile batten to allow the top tube assembly to fit through the flashing down into the roof void.

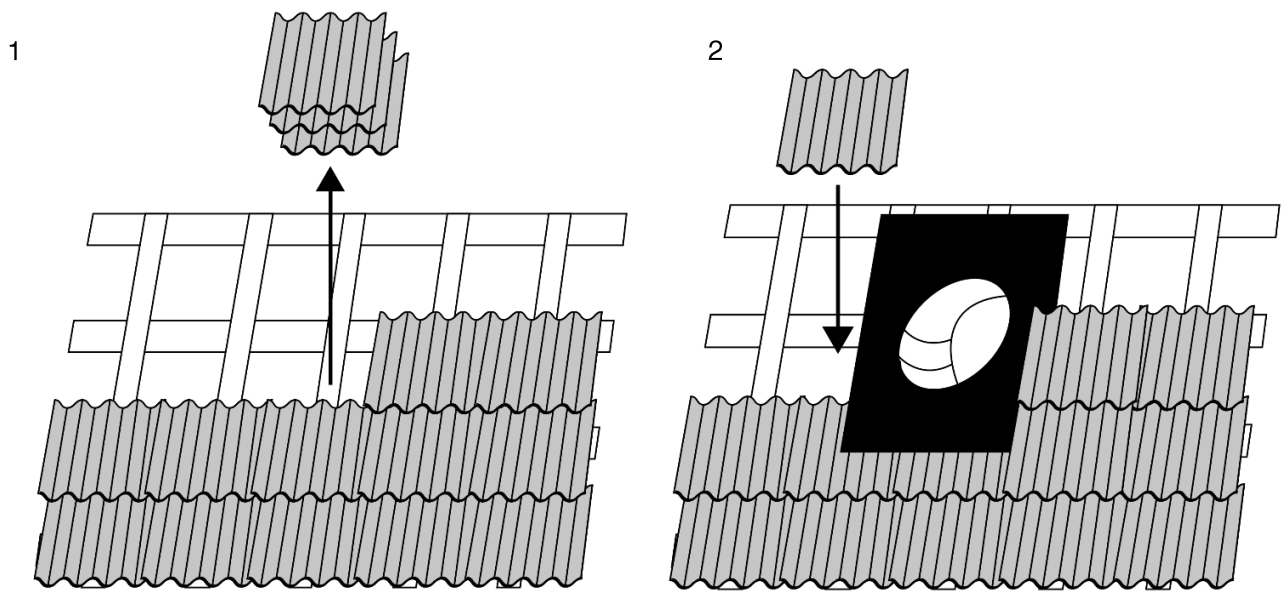
Important: Temporarily insert the top tube assembly down through the flashing to help you to centralise the flashing over the roof aperture created.

Tip: The bottom skirt of the Ubiflex flashing is longer than the top.

Fix the Ubiflex roof flashing in place by screwing the top of the flashing to the tile battens.

Create a weather stop by folding the sides and top of the flashing upwards by a few centimetres.

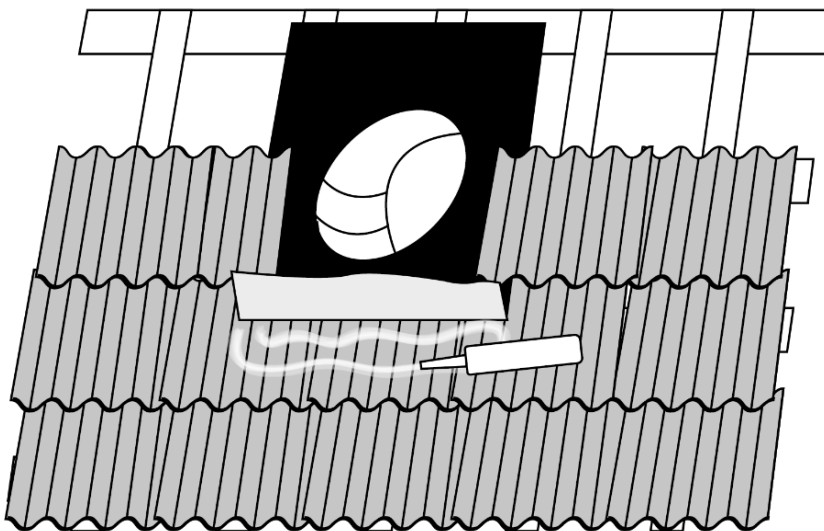
Dress the bottom skirt of the flashing down onto the profile of the tiles below.



2.2.1 Step 2.1 – High-Tack sealant

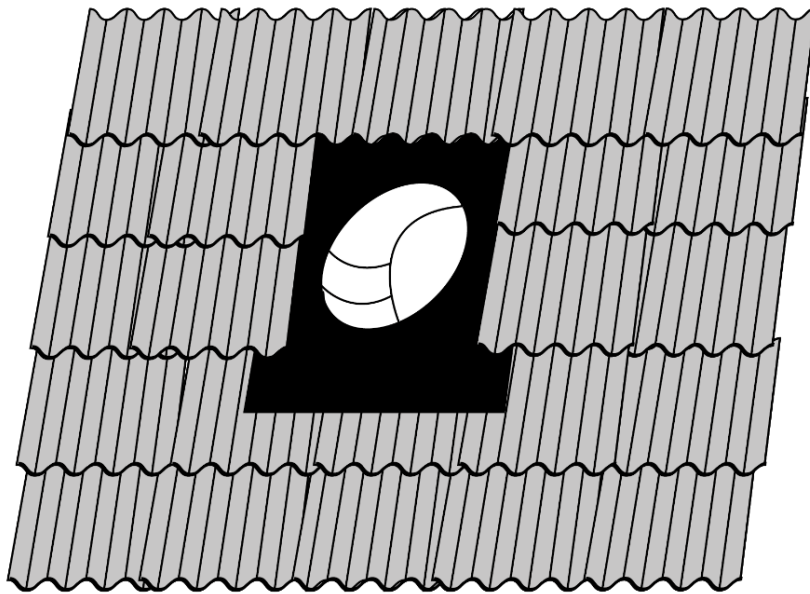
Secure the lower skirt of the flashing down onto the tiles below with the High-tack adhesive / sealant and tile clips provided.

Tip: Ensure that the tiles below the flashing skirt are free from dust and debris prior to applying the High-tack adhesive / sealant.



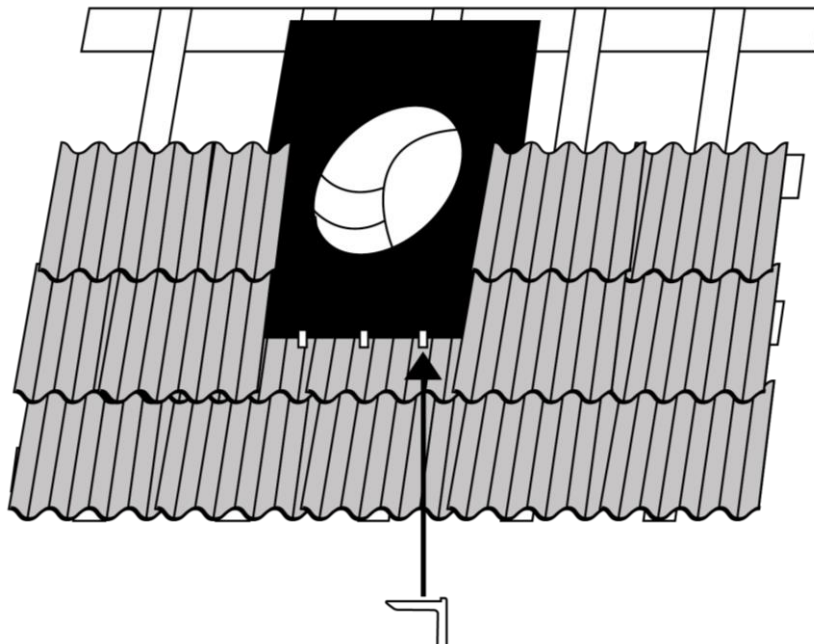
Fit the roof tiles back around the sides and top of the roof flashing.

Note: The sides of the flashing must be overlapped by the roof tiles.



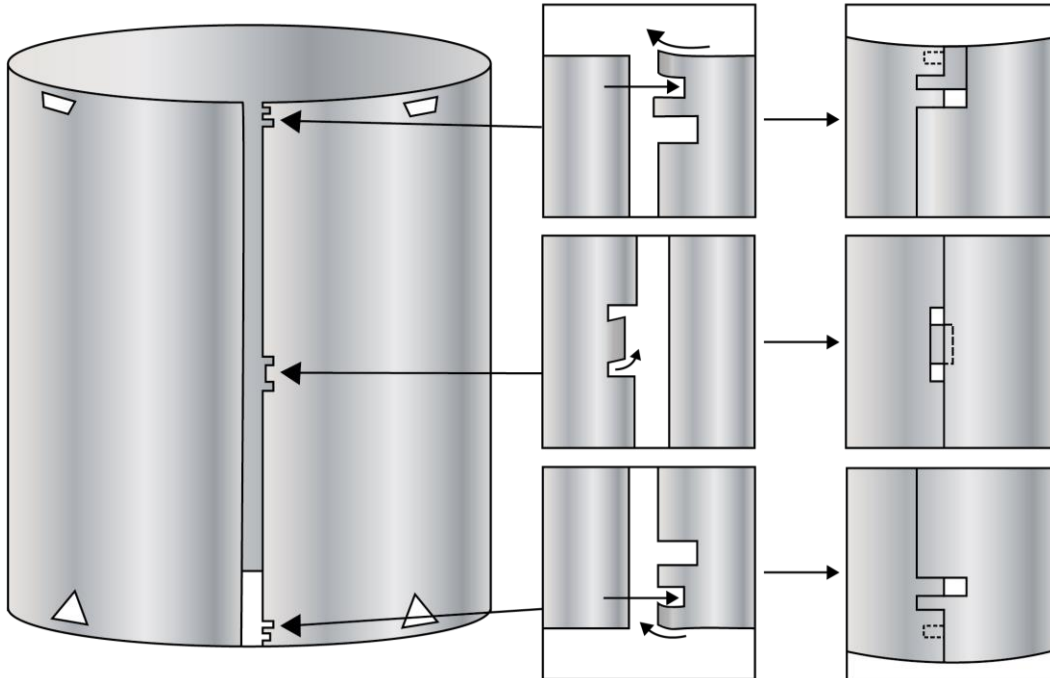
2.2.2 Step 2.2 – Attach roof flashing tile clips

The three tile clips provided can also be used to secure the bottom skirt of the flashing down onto the roof. Clamp the short "leg" of the clips between two tiles beneath the edge of the flashing and bend the long "leg" back over the edge of the flashing to clamp it in place.

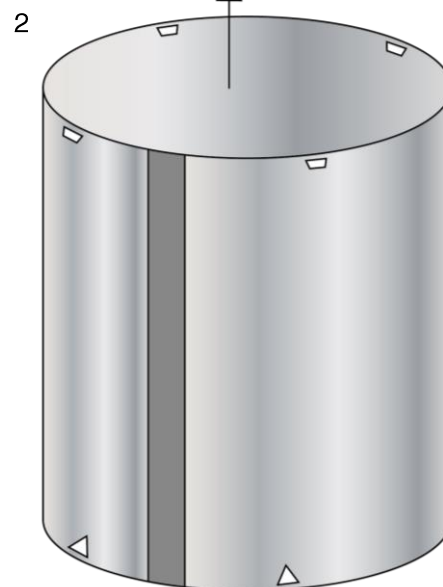
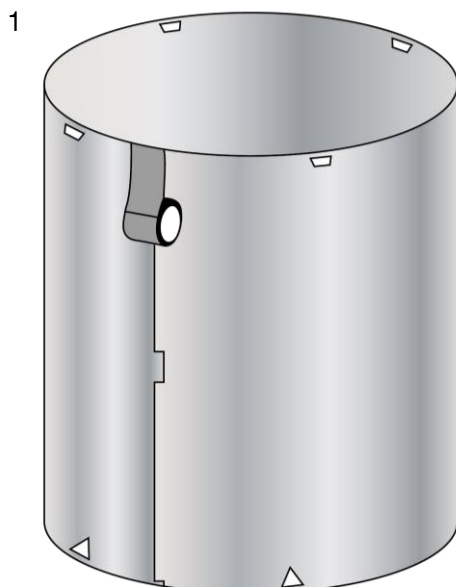


2.3 Step 3 – Assemble the top extension tube

Bend the short tab of at the very top of the tube slightly inwards. Bend the short tab at the bottom of the tube slightly inwards. Bend the tab at the middle of the tube slightly inwards. Insert the straight tube edge into the shallow notch created at the top of the tube, the notch in the middle of the tube and the shallow notch at the bottom of the tube as shown below.



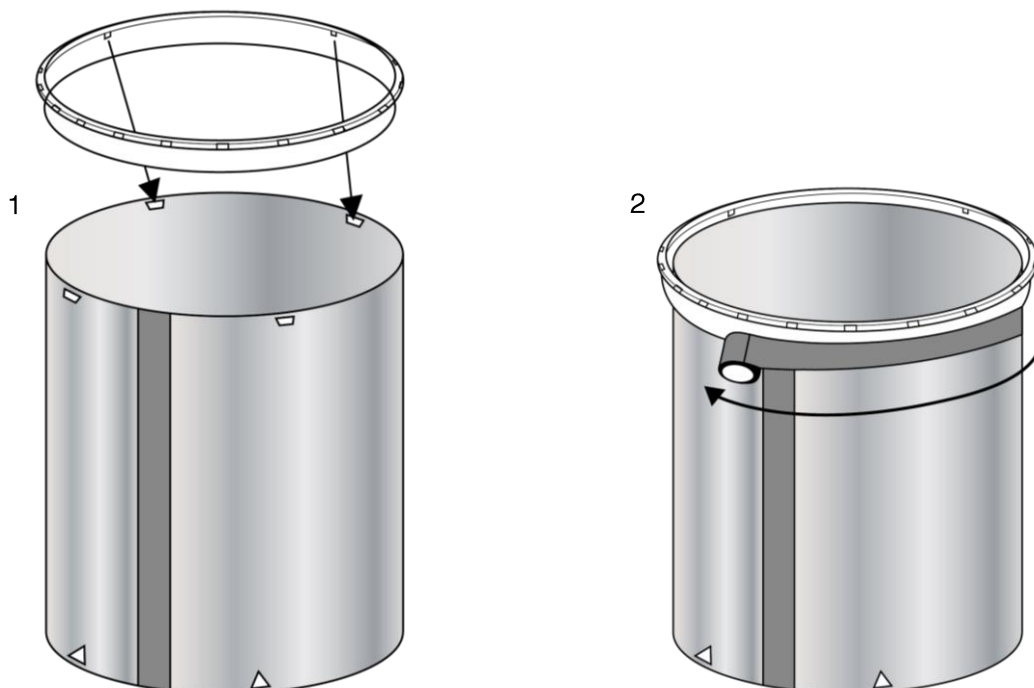
Tape the entire length of the tube seam with aluminium tape on the outside of the tube. Remove the protective film from the extension tube.



2.4 Step 4 – Fit the dome ring

Fit the dome ring onto the outside of the top of the extension tube, ensuring that all four tabs on the inside of the dome ring fit into the rectangular recesses in the top of the tube.

Tape the bottom edge of the dome ring to the outside of the tube with the aluminium tape.

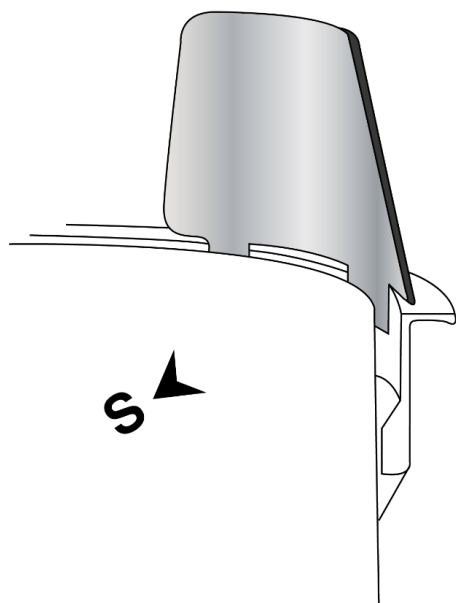


2.5 Step 5 – Fit the LightTracker

Fit the LightTracker reflector between the extension tube and the dome ring, with the reflective side facing inwards.

Remove the protective film from the LightTracker.

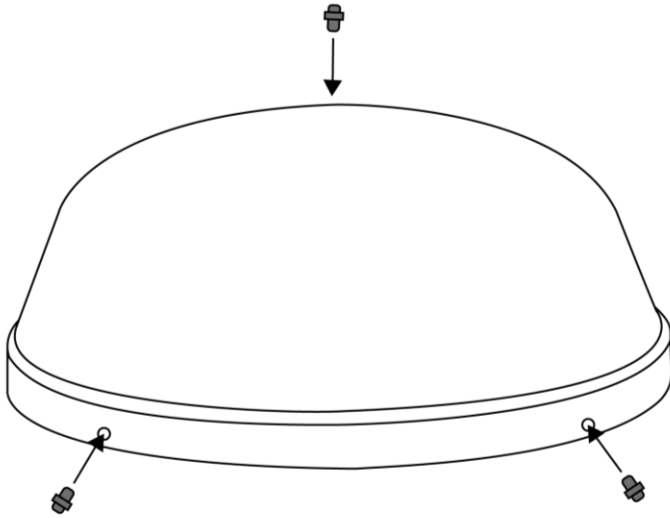
Note: Turn the tube so that the reflective side of the LightTracker faces south. If the sunlight is blocked on the south side of the dome, do not fit the LightTracker in the dome!



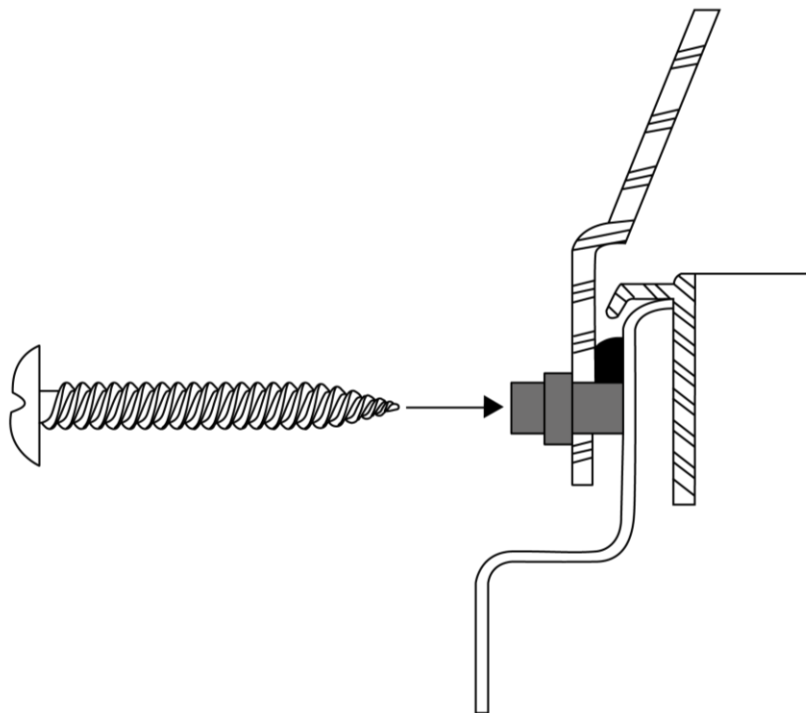
2.6 Step 6 – Fit the roof dome

Fit the dome down over the dome ring.

Push the 6 dome spacers (long side of the spacer first) into the pre-formed holes in the dome.

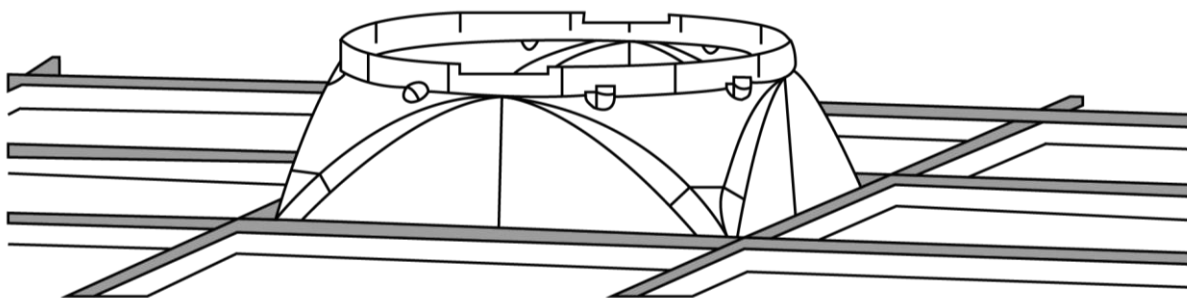


Fasten the dome with the dome screws supplied. Screw from the outside to the inside, through the spacers. Drive the screws through both the roof flashing and the reflective tube. Do not overtighten the screws or you may cause damage to the roof dome.



2.7 Step 7 – Install the transition box

Place the transition box into the T-profile of the suspended ceiling. Make sure that the transition box is supported on all four sides by the T-profile.



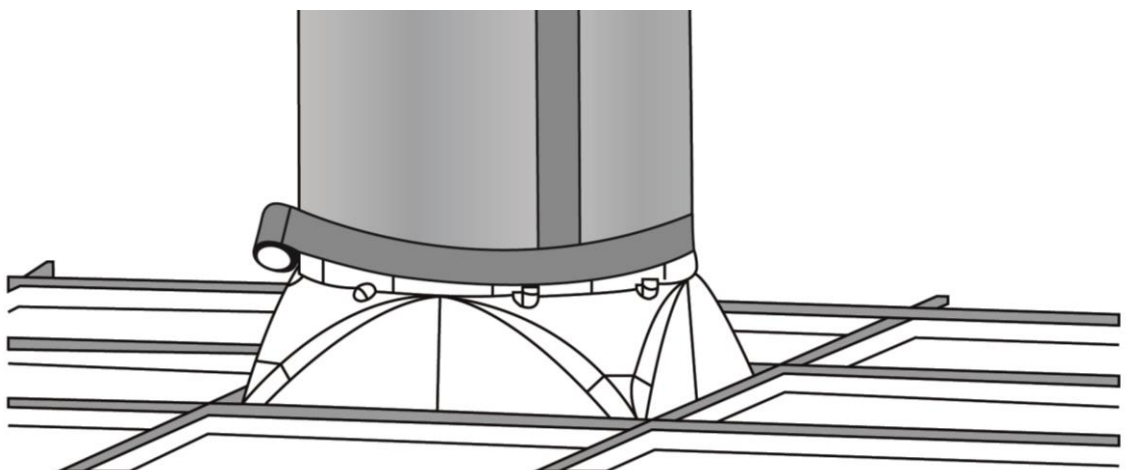
2.8 Step 8 – Extension tubes

The next step is to assemble the extension tube/s. Please refer to the installation instructions for the extension tube of your choice that can be found on our website. www.solatube.co.uk.

2.9 Step 9 – Connect the transition box

Now fit the system tubing to the ceiling transition box. Tape the connecting extension tube to the outside of top collar of the transition box with the aluminium tape.

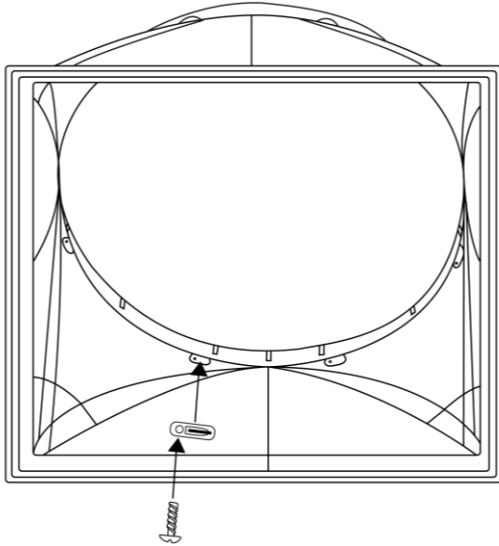
Note: With lightweight ceiling systems and / or a long Solatube system (multiple extension tubes), it is advisable to reinforce the ceiling grid and/or add suspension wires up to the roof construction.



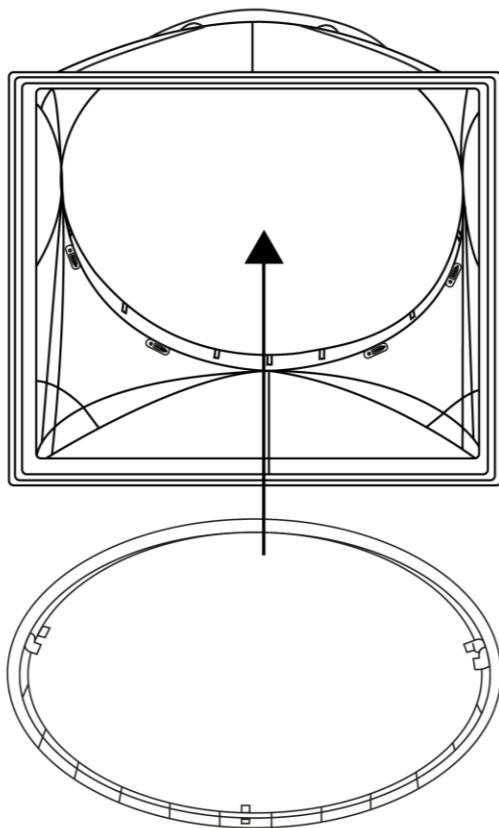
2.10 Step 10 – Natural Effect Lens

The Natural Effect Lens is mounted up inside the top of the transition box to seal the bottom of the reflective tubing.

First screw the 8 white tabs into the holes on the inside of the transition box with the screws provided.



Carefully push the Natural Effect Lens up into the recess in the top of the transition box. Turn the white tabs a quarter turn to secure the Natural Effect Lens into place.



2.11 Step 11 – Fit the ceiling diffuser

The next step is to fit the ceiling diffuser. Please refer to the installation instructions for the ceiling diffuser type chosen. You can find this on our website www.solatube.co.uk.

This completes the installation of the Solatube.

