



SOLATUBE[®]
DAYLIGHTING SYSTEMS

Installation Instructions

Solatube Ø 53 cm
0-90° adjustable angle

Enjoy daylight

Contents

1. Product Overview	3
1.1 Parts	3
2. Installation Steps	4
2.1 Step 1 – Set angles	4
2.2 Step 2 – Install angles	4

Version

21-09-2020

Safety Information

- Always observe the safety instructions for the materials and tools to be used.
- Always wear the appropriate personal protective equipment (gloves, safety goggles etc.)
- We would suggest that any roof works is completed by an experienced roofer.
- Always have any electrical works carried out by a certified electrician.
- Please note that the installation works is carried out at your own risk.

Guarantee

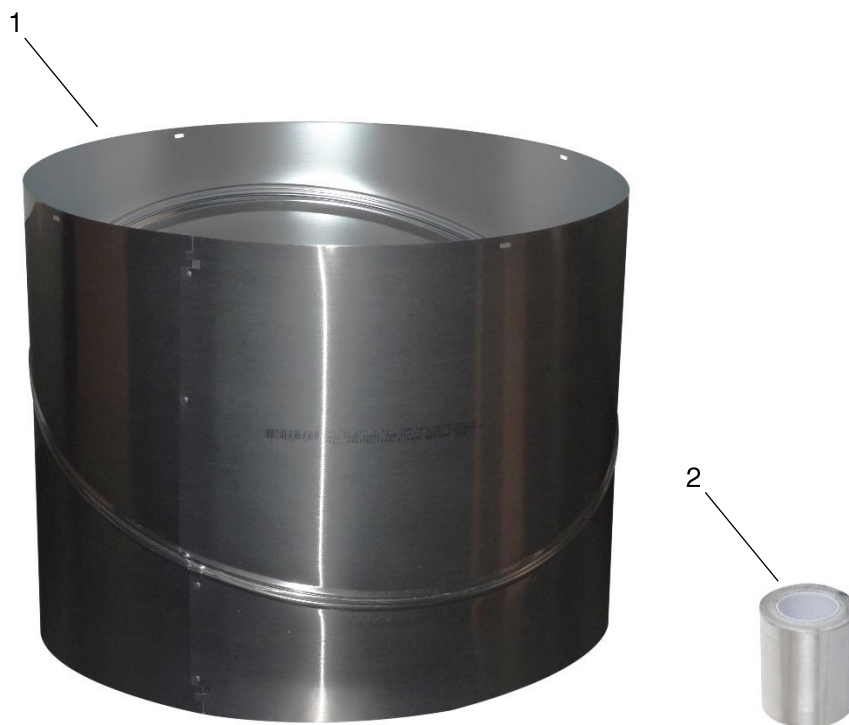
Non-electrical Solatube® components are covered by a 10 year manufacturer's warranty against any manufacturing defects. Please retain the original proof of purchase to validate the product warranty. Any costs associated to the installation of any replacement parts covered under the warranty remain at the expense of the purchaser. Our terms and conditions are available upon request.

Disclaimer

Techcomlight Limited expressly disclaims any liability for any unexpected additional expense arising as a result of condensation or any water damage resulting from condensation, installation not in accordance with Techcomlight Limited's installation guide/s or any other external influences beyond the control of Techcomlight Limited. Techcomlight cannot be held liable for damage to structures caused as a result of making openings and installing Solatube® systems. Techcomlight assumes no responsibility or obligation for the failure of an architect, contractor, installer or building owner to comply with all applicable laws, ordinances, building codes, energy codes, fire and safety codes and requirements, and adequate safety measures.

Installation instructions reserved. No rights can be derived from this publication.

1. Product Overview



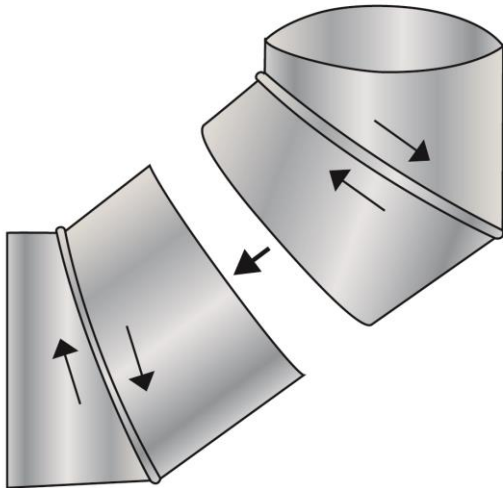
1.1 Parts

1. 2 x 0-45° adjustable angles
2. Roll of aluminium tape

2. Installation Steps

2.1 Step 1 – Set angles

Set the desired angles: carefully peel off the protective film from the inside of the angle seams. Slide the top 0-45° bend into the bottom 0-45° bend. Grasp the angles with both hands, just below the adjustable angle seam. Use your thumbs and index fingers to twist both parts in opposite directions to create the desired angles.

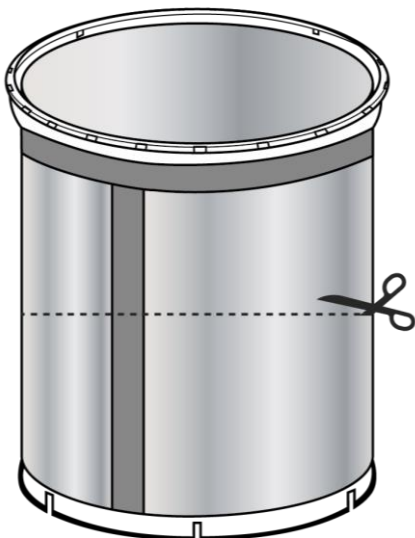


2.2 Step 2 – Install angles

The adjustable angles must be installed with the larger diameter top angle fitting over the tube above and the smaller diameter bottom angle fitting down into the tube section below.

Important: Once installed ensure that all external tube joints and seams (including the adjustable angle seams) are sealed with the aluminium tape provided on the outside of the tube.

If you are extending an existing system, remove the Solatube up through the roof flashing. Cut the straight extension tube in half with tin snips. The set must always start and end with a straight piece of tubing!



Slide the extension tube of the standard set into the top of the 0-90° angle tube. Overlap the tube sections by at least 25 mm.

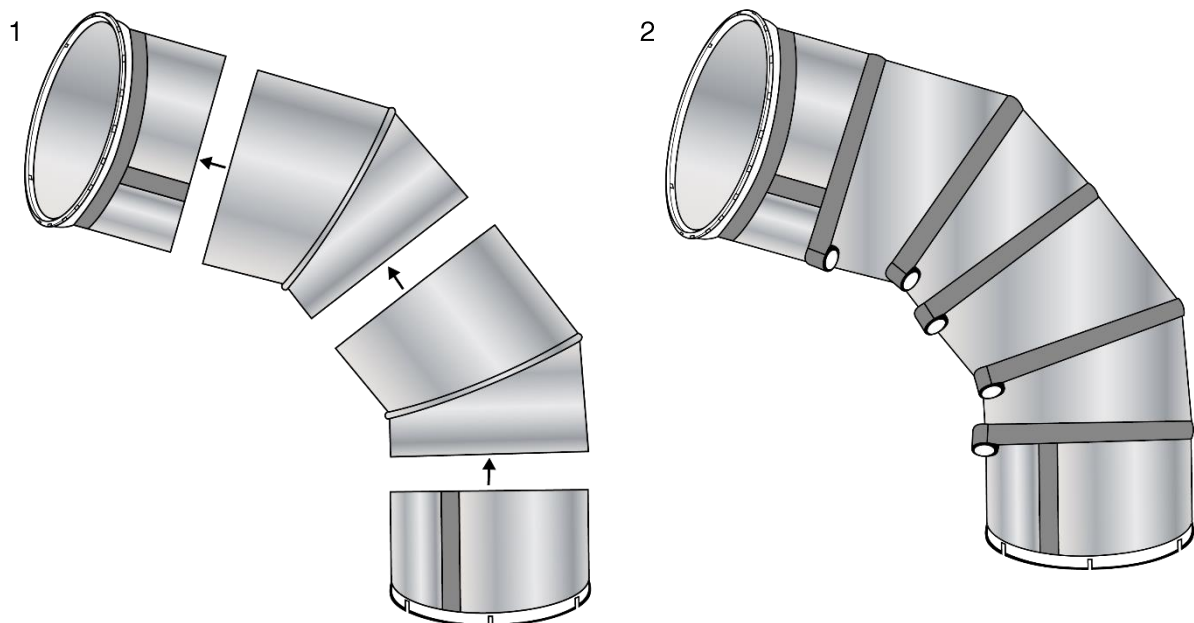
Alternate the vertical seams for additional strength.

Tape all seams carefully with the aluminum tape:

- Adjustable angle seams
- Longitudinal seams
- Tube section connection seams

If necessary, use two self tapping screws to secure the tubes together.

Attach the ceiling diffuser to the bottom extension tube. Then slide the tube from above down through the roof flashing.



This completes the installation of your adjustable angles.

