



SOLATUBE[®]
DAYLIGHTING SYSTEMS

Installation Instructions

Solatube Ø 53 cm
122 cm long straight extension tube

Enjoy daylight

Contents

1. Product Overview	3
1.1 Parts	3
2. Installation Steps	4
2.1 Step 1 – Assemble the extension tube	4
2.2.1 Step 2.1 – Installation with one extension tube	6
2.2.2 Step 2.2 – Installation with multiple extension tubes	7

Version

30-09-2020

Safety Information

- Always observe the safety instructions for the materials and tools to be used.
- Always wear the appropriate personal protective equipment (gloves, safety goggles etc.)
- We would suggest that any roof works is completed by an experienced roofer.
- Always have any electrical works carried out by a certified electrician.
- Please note that the installation works is carried out at your own risk.

Guarantee

Non-electrical Solatube® components are covered by a 10 year manufacturer's warranty against any manufacturing defects. Please retain the original proof of purchase to validate the product warranty. Any costs associated to the installation of any replacement parts covered under the warranty remain at the expense of the purchaser. Our terms and conditions are available upon request.

Disclaimer

Techcomlight Limited expressly disclaims any liability for any unexpected additional expense arising as a result of condensation or any water damage resulting from condensation, installation not in accordance with Techcomlight Limited's installation guide/s or any other external influences beyond the control of Techcomlight Limited. Techcomlight cannot be held liable for damage to structures caused as a result of making openings and installing Solatube® systems. Techcomlight assumes no responsibility or obligation for the failure of an architect, contractor, installer or building owner to comply with all applicable laws, ordinances, building codes, energy codes, fire and safety codes and requirements, and adequate safety measures. Installation instructions reserved. No rights can be derived from this publication.

1. Product Overview



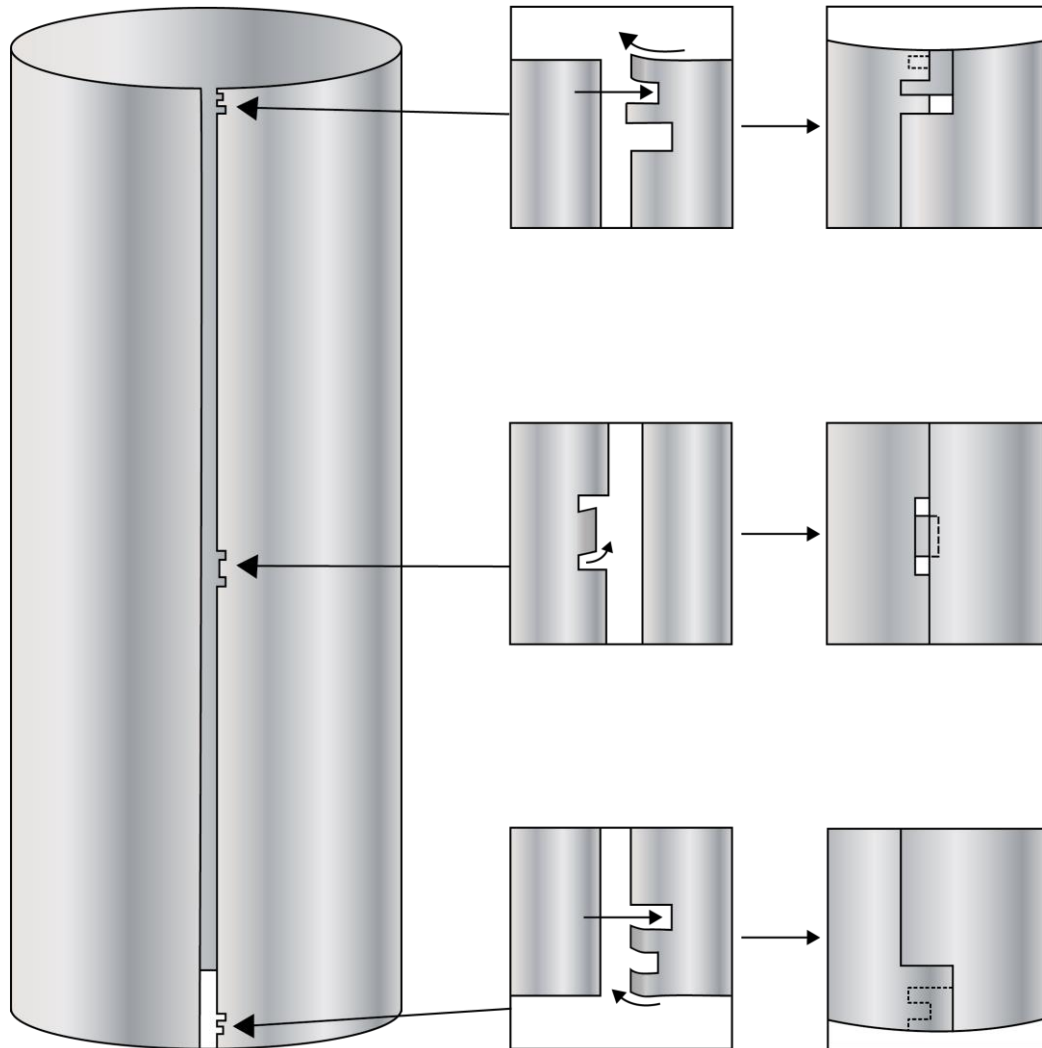
1.1 Parts

1. 122 cm long extension tube
2. Roll of aluminium tape

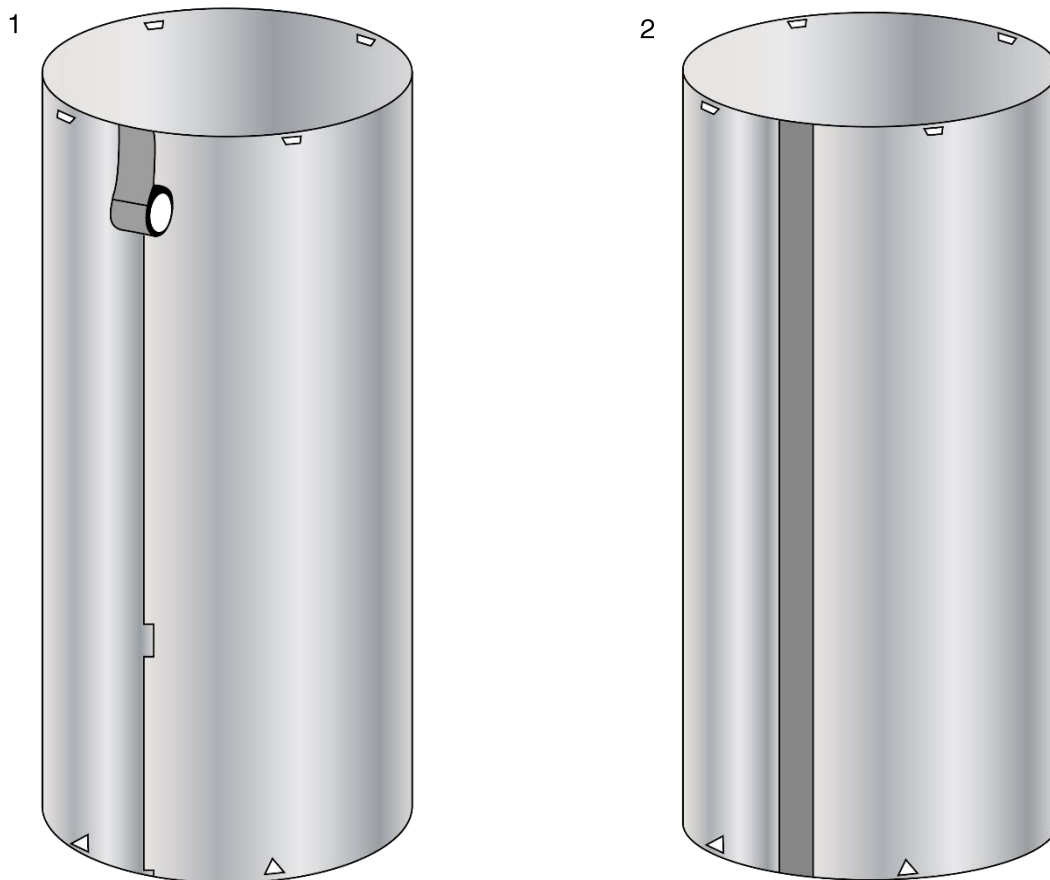
2. Installation Steps

2.1 Step 1 – Assemble the extension tube

Bend the short tab at the very top of the tube slightly inwards. Bend both the short and long tabs at the bottom of the tube slightly inwards. Bend the tab at the middle of the tube slightly inwards. Insert the straight tube edge into the shallow notch created at the top of the tube, the notch in the middle of the tube and the deep notch at the bottom of the tube as shown below. The tube can be temporarily held together with small pieces of tape to assist you during assembly.



Tape the entire length of the tube seam with aluminium tape on the outside of the tube.
Remove the protective film from the extension tube



2.2 Step 2 – Install extension tubes

The Solatube extension tubes are slightly conical in shape: the top of the tube is a slightly larger diameter than the bottom of the tube. The top of the tube is to be installed over the top of the tube above and the bottom of the tube into the inside of the tube below.

Important: The top extension tube, with the brush sealing strip applied must fit up inside the top (roof) tube assembly. Do not tape this connection as it allows for any movement within the system and / or roof structure.

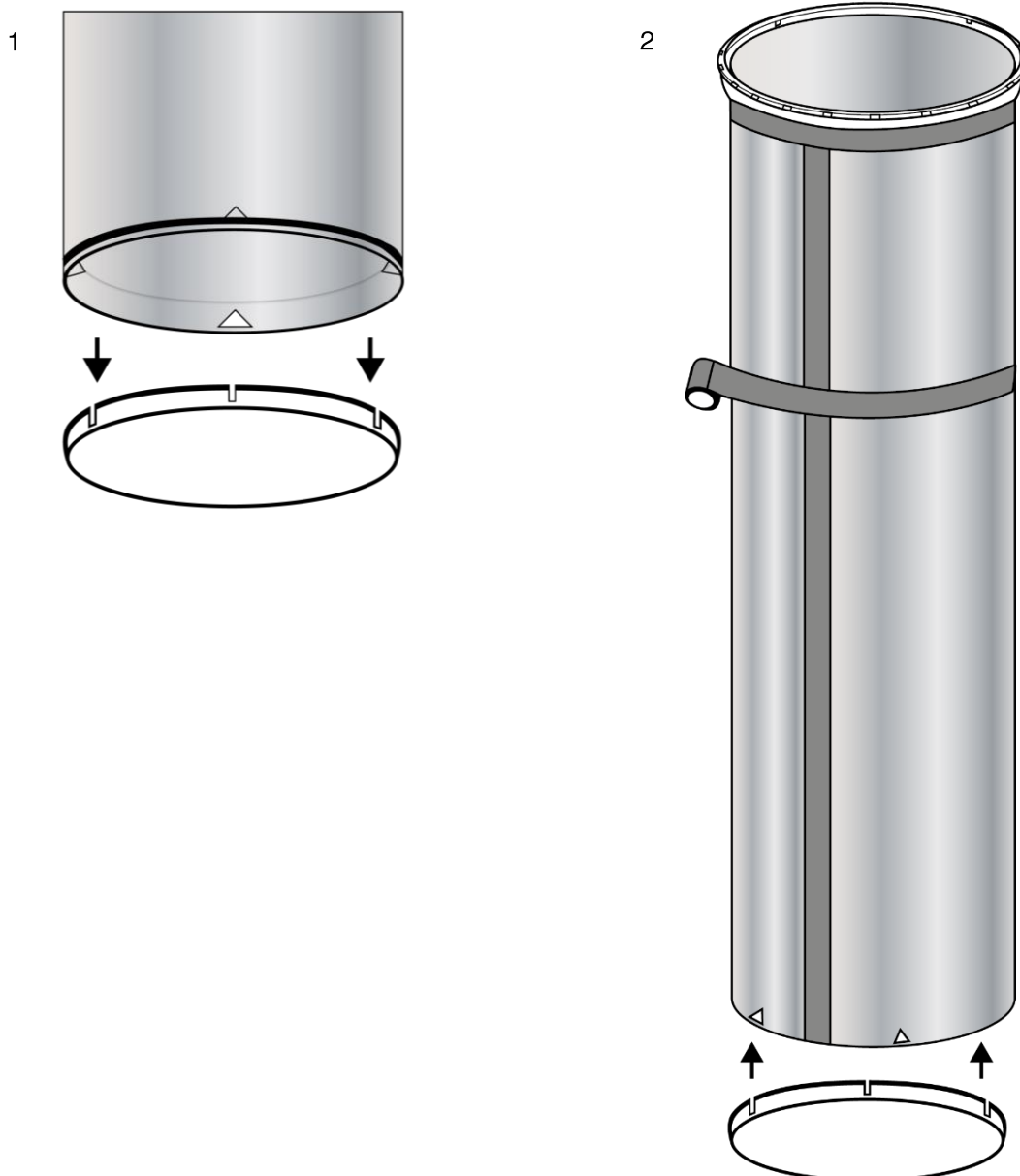
Tip: For long systems with multiple extension tubes, it is advisable to reinforce the ceiling and / or suspend the tubing from the roof construction (rafters etc.), depending on the application.

2.2.1 Step 2.1 – Installation with one extension tube

If you are extending an existing system, remove the Solatube through the roof flashing. Remove the ceiling diffuser from the systems and attach it to the new extension tube to be installed to the bottom of the system.

Slide the new extension tube with the diffuser attached up over the existing bottom tube section overlapping the tubes by at least 2.5 cm. Alternate the vertical seams for strength. Tape the seams all around with the aluminum tape to secure and seal the tube sections together. If necessary, you can also use two screws to secure the tubes together.

Tip: : If required, extension tubes can be cut / shortened with the use of a pair of tin snips.



Attach the diffuser to the bottom extension tube, then slide the assembled system down through the roof flashing.

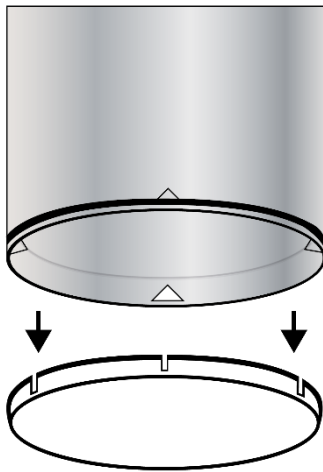
2.2.2 Step 2.2 – Installation with multiple extension tubes

If you are extending an existing system, remove the Solatube through the roof flashing. Remove the ceiling diffuser from the system and attach it to the new extension tube to be installed to the bottom of the system.

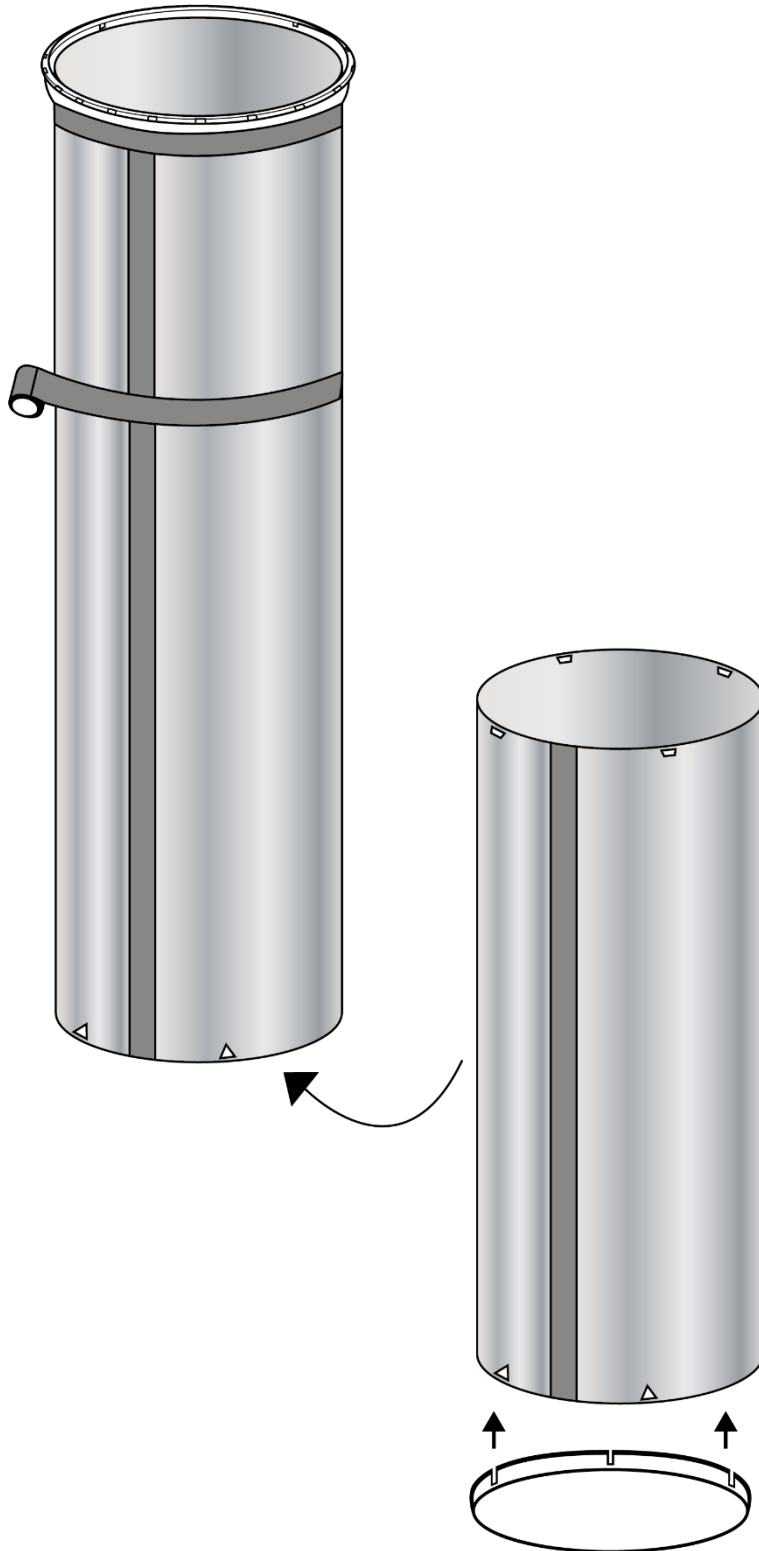
Install additional extension tubes as required and then slide the new extension tube with the diffuser attached up over the bottom tube section overlapping the tubes by at least 2.5 cm. Alternate the vertical seams for strength.

Tape the seams all around with the aluminum tape to secure and seal the tube sections together. If necessary, you can also use two screws to secure the tubes together.

Tip: If required, extension tubes can be cut / shortened with the use of a pair of tin snips.



Attach the diffuser to the bottom extension tube, then slide the assembled system down through the roof flashing.



This completes the installation of your extension tube/s.

