



SOLATUBE[®]
DAYLIGHTING SYSTEMS

Installation Instructions

Solatube Ø 53 cm
Fire resistant dome protection ring

Enjoy daylight

Contents

1. Product Overview	3
1.1 Parts	3
2. Installation Steps	4
2.1 Step 1 – Fitting fireproof dome protection ring on single dome	4
2.1 Step 1 – Fitting fireproof dome protection ring on double dome.....	5

Version

27-10-2020

Safety Information

- Always observe the safety instructions for the materials and tools to be used.
- Always wear the appropriate personal protective equipment (gloves, safety goggles etc.)
- We would suggest that any roof works is completed by an experienced roofer.
- Always have any electrical works carried out by a certified electrician.
- Please note that the installation works is carried out at your own risk.

Guarantee

Non-electrical Solatube® components are covered by a 10 year manufacturer’s warranty against any manufacturing defects. Please retain the original proof of purchase to validate the product warranty. Any costs associated to the installation of any replacement parts covered under the warranty remain at the expense of the purchaser. Our terms and conditions are available upon request.

Disclaimer

Techcomlight Limited expressly disclaims any liability for any unexpected additional expense arising as a result of condensation or any water damage resulting from condensation, installation not in accordance with Techcomlight Limited’s installation guide/s or any other external influences beyond the control of Techcomlight Limited. Techcomlight cannot be held liable for damage to structures caused as a result of making openings and installing Solatube® systems. Techcomlight assumes no responsibility or obligation for the failure of an architect, contractor, installer or building owner to comply with all applicable laws, ordinances, building codes, energy codes, fire and safety codes and requirements, and adequate safety measures.

Installation instructions reserved. No rights can be derived from this publication.

1. Product Overview



1.1 Parts

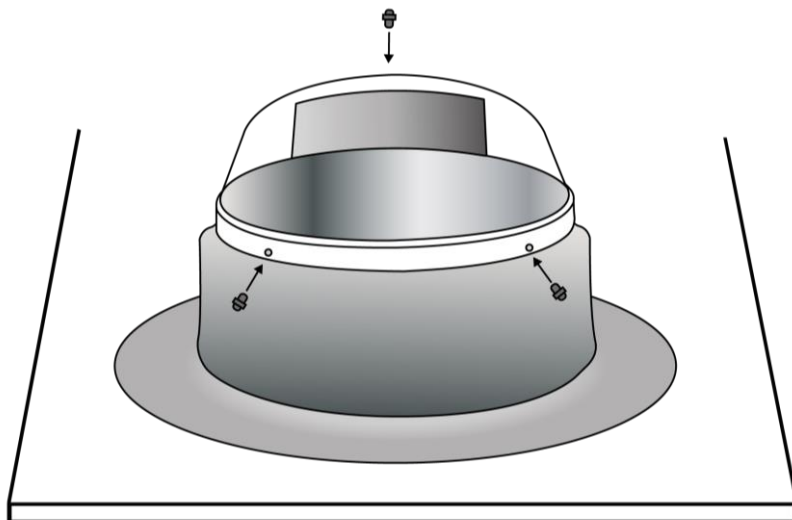
1. Fire resistant dome protection ring
2. 3 x protection ring fixing tabs

2. Installation steps

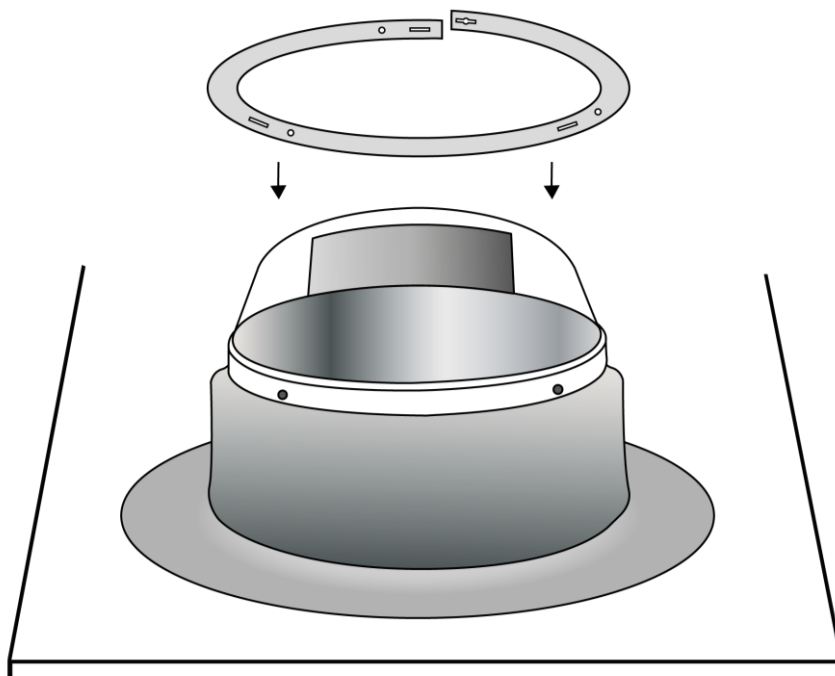
2.1 Step 1 – Fitting fireproof dome protection ring on single dome

Insert the 6 dome spacers long end first into the holes in the dome as shown below.

Note: the 6 dome spacers would have been supplied with the standard Solatube Ø 53 cm system.

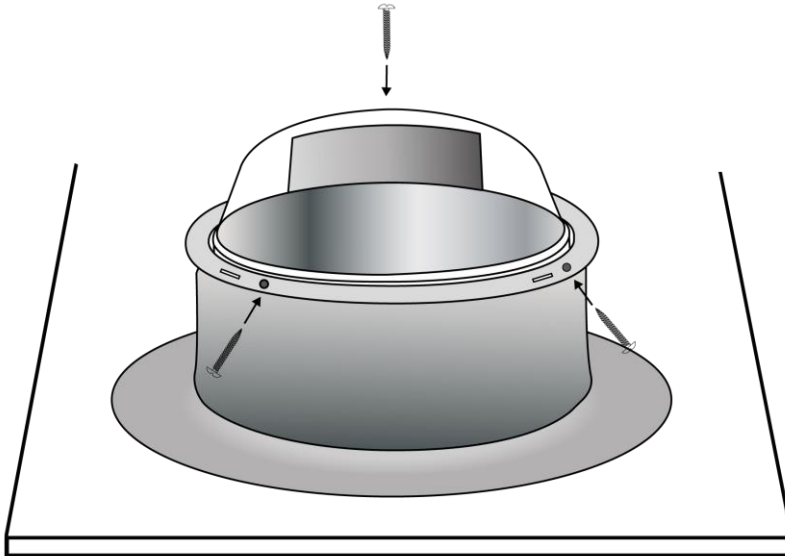


Fit the dome protection ring down over the dome, with the holes within the ring locating onto the dome spacers as shown below.



Drive the roof dome screws through the dome spacers to fix both the roof dome and protection ring into place. The screws should pierce through both the roof flashing and the inside of the reflective tube. Do not overtighten the screws or you may cause damage to the roof dome.

Note: the 6 dome spacers would have been supplied with the standard Solatube system

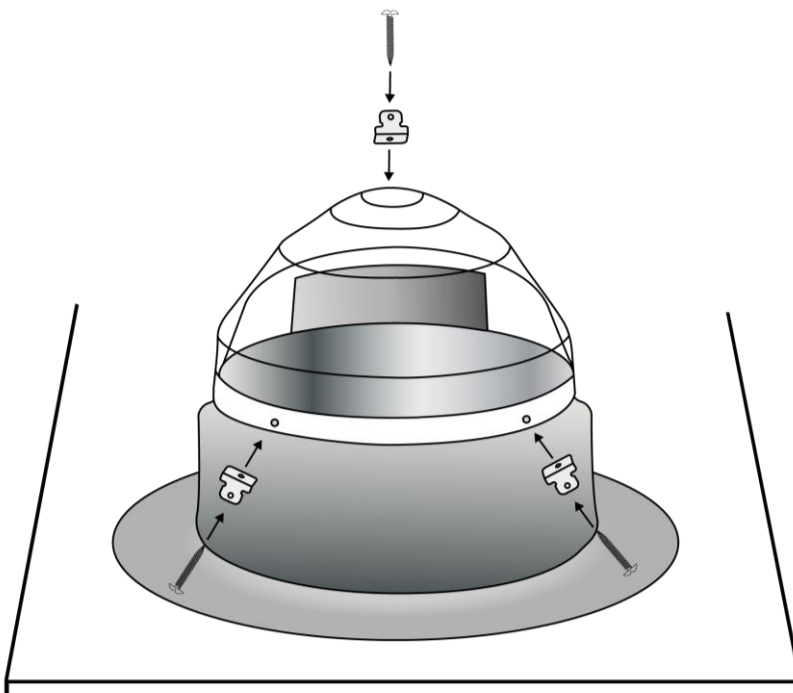


2.1 Step 1 – Fitting fireproof dome protection ring on double dome

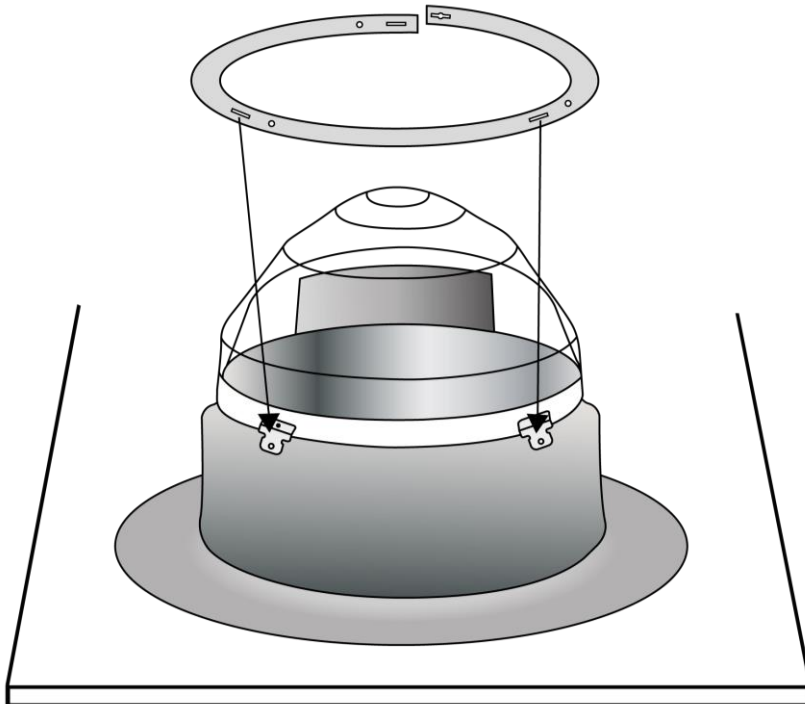
Place the 3 fixing tabs with the large face against the dome over the holes in the dome and screw them into place with the dome screws.

The screws should pierce through both the roof flashing and the inside of the reflective tube. Do not overtighten the screws or you may cause damage to the roof domes.

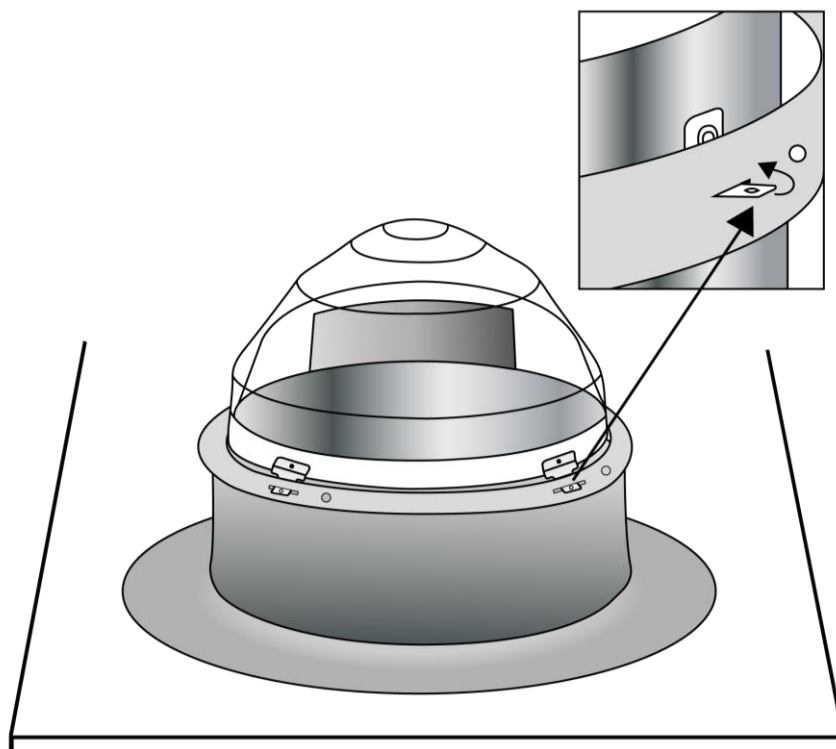
Note: the 6 dome screws would have been supplied with the standard Solatube system



Fit the dome protection ring down over the dome, with the slots within the ring locating onto the fixing tabs as shown below.



Bend the fixing tabs upwards to fix the protection ring into place.



This completes the installation of the fireproof dome protection ring.

